

Characteristics

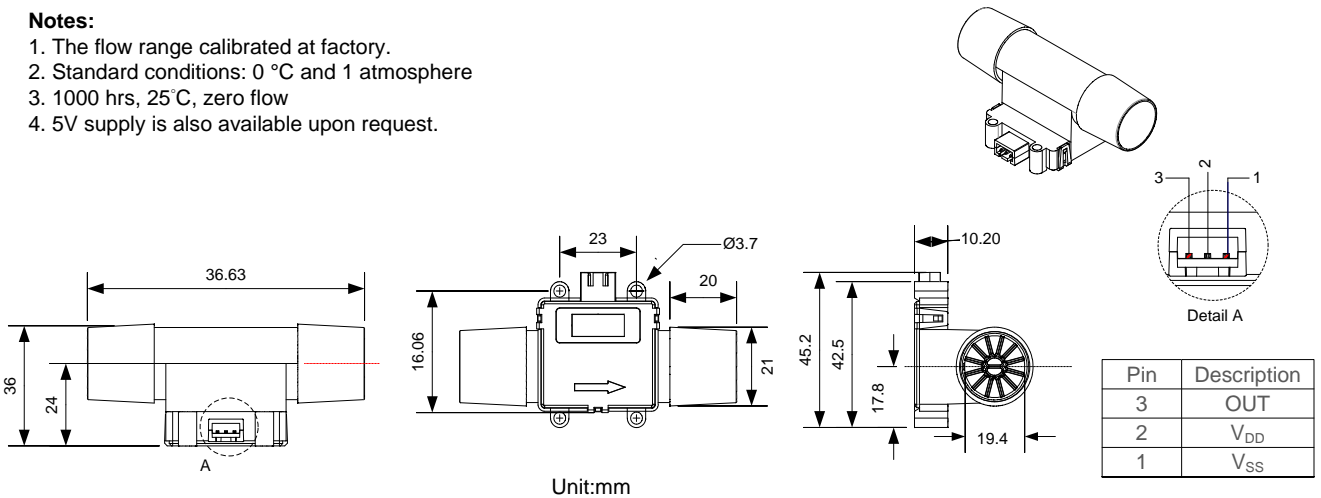
PRELIMINARY

Test Conditions: 12±0.01 V, Ta=25°C. Relative Humidity: 40%<RH<60%

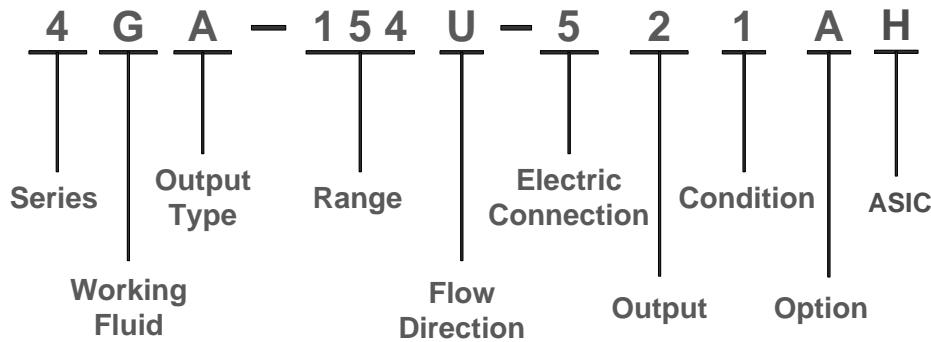
Parameters	Min	Typ	Max	Unit
Range of Flow Rate ¹	0		150	SLPM ¹
Output - Zero	0.84	1.00	1.16	V
Output Span		4.00		V
Output Limit			5.20	V
Accuracy ²		4		%FS
Temperature Error		0.15		% of measured value/°C
Repeatability		0.2		%FS
Long-term Stability ³		0.5		%F.S.
Response Time		2		ms
Warm-up		100		ms
Temperature - Operating	5		50	°C
Temperature - Storage	-40		60	°C
Supply Voltage ⁴	9		16	V
Supply Current@12V		21	26	mA
Wetted Materials	Silicon carbide, epoxy, PPE+PS, FR4 & gold			

Notes:

1. The flow range calibrated at factory.
2. Standard conditions: 0 °C and 1 atmosphere
3. 1000 hrs, 25°C, zero flow
4. 5V supply is also available upon request.



Ordering Information



4	4K
G	Gas, air
A	Analog
154	150 SLPM
U	Uni-direction
5	Connector
2	1 to 5 V
1	0°C
A	AEC
H	HT

Additional Products

- Pressure Transducers
- Pressure Meters